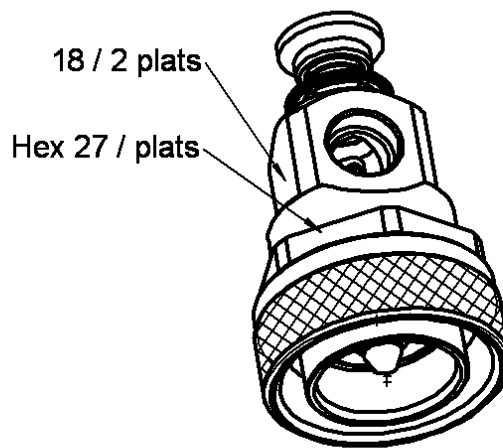
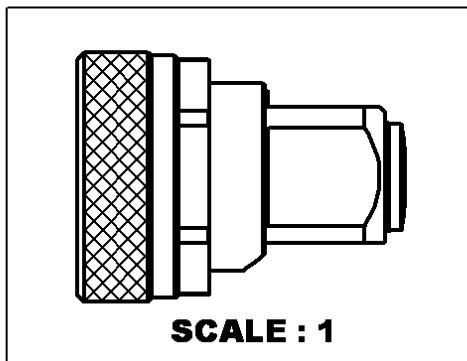
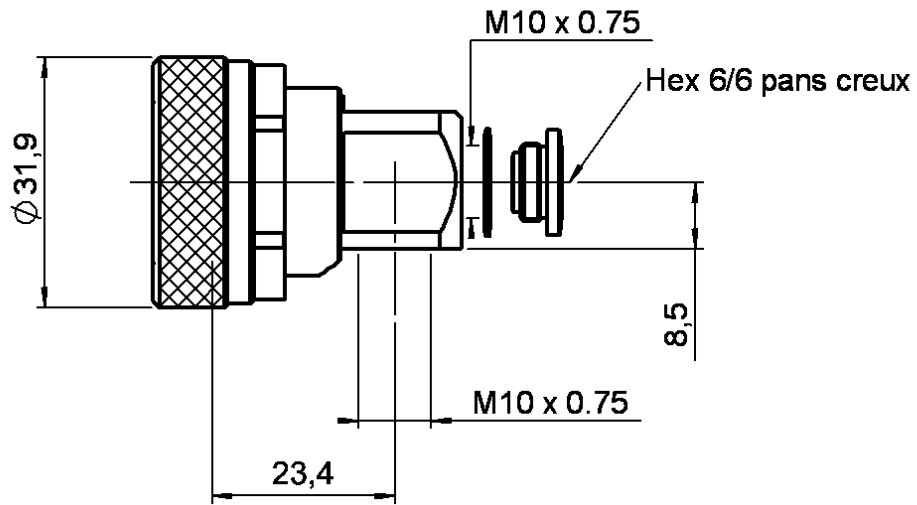


COAXI-KIT STRAIGHT PLUG

R185.901.000

Series : 7-16



All dimensions are in mm.



COMPONENTS	MATERIALS	PLATINGS (μm)
BODY	BRASS	BBR 0.5 OVER SILVER 3
CENTER CONTACT	BRASS	SILVER 5 OVER COPPER 0.5
OUTER CONTACT	BRASS	SILVER 5 OVER COPPER 0.5
INSULATOR	PTFE	
GASKET	SILICONE RUBBER	
OTHERS PARTS	BRASS	BBR 2
-	-	-
-	-	-

Issue : 0214 B

In the effort to improve our products, we reserve the right to make changes judged to be necessary.



COAXI-KIT STRAIGHT PLUG

R185.901.000

Series : 7-16

PACKAGING

SPECIFICATION

Standard	Unit	Other
20	'W' option	Contact us

ELECTRICAL CHARACTERISTICS

ENVIRONMENTAL

Impedance		50 Ω
Frequency		0-7.5 GHz
VSWR	* +	0.000 x F(GHz) Maxi
Insertion loss		NA √F(GHz) dB Maxi
RF leakage	- (NA - F(GHz)) dB Maxi
Voltage rating		1400 Veff Maxi
Dielectric withstanding voltage		2700 Veff mini
Insulation resistance		10000 MΩ mini

Operating temperature	-55/+155 ° C
Hermetic seal	NA Atm.cm3/s
Panel leakage	NA

OTHERS CHARACTERISTICS

Assembly instruction

Others :

*VSWR according to coaxi-kit tip used

EZ fit type for superflexible

Corrugated cab. :DC7.5GHz Other: DC2.5GH

MECHANICAL CHARACTERISTICS

Center contact retention		
Axial force – Mating end	200	N mini
Axial force – Opposite end	100	N mini
Torque	2	N.cm mini
Recommended torque		
Mating	3000	N.cm
Panel nut	NA	N.cm
Mating life	500	Cycles mini
Weight	108.079	g

Issue : 0214 B

In the effort to improve our products, we reserve the right to make changes judged to be necessary.

